

Save Time! Save Money!

All 3000 Series Parts Numbers are Complete
 "Ready to Use" Assemblies.

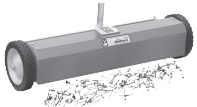



Ref	Description	Model	Model	Model
		T850 Contr T851 HD P/N	T1050 Contr T1051 HD P/N	T1250 Contr T1251 HD P/N
1	Slide Bar & Wedge Assm ** Cont	3593	3594	3595
2	Slide Bar & Wedge Assm ** HD	3600	3601	3602
3	L Bar w/SS Edge Strip ** Cont	3607	3608	3609
4	L Bar w/SS Edge Strip ** HD	3614	3615	3616
5	Hinge, Front w/Orange Vinyl Strip	3621	3622	3623
6	Hinge, Fixed Rear ** Cont	4038	4039	4040
7	Hinge, Fixed Rear ** HD	4140	4141	4142
8	Rail, Base Front ** Contr	4271	4273	4275
9	Rail, Base Front ** HD	4272	4274	4276
10	Rail, Base Rear ** Contr	4285	4287	4289
11	Rail, Base Rear ** HD	4286	4288	4290
12	Strip, Stainless Steel Edge *	4182	4183	4184
13	Pin, Stainless Steel Hinge	4062	4063	4064

*Can ship via UPS in 2 pcs. **Serial no. required to order.

Parts For All Models

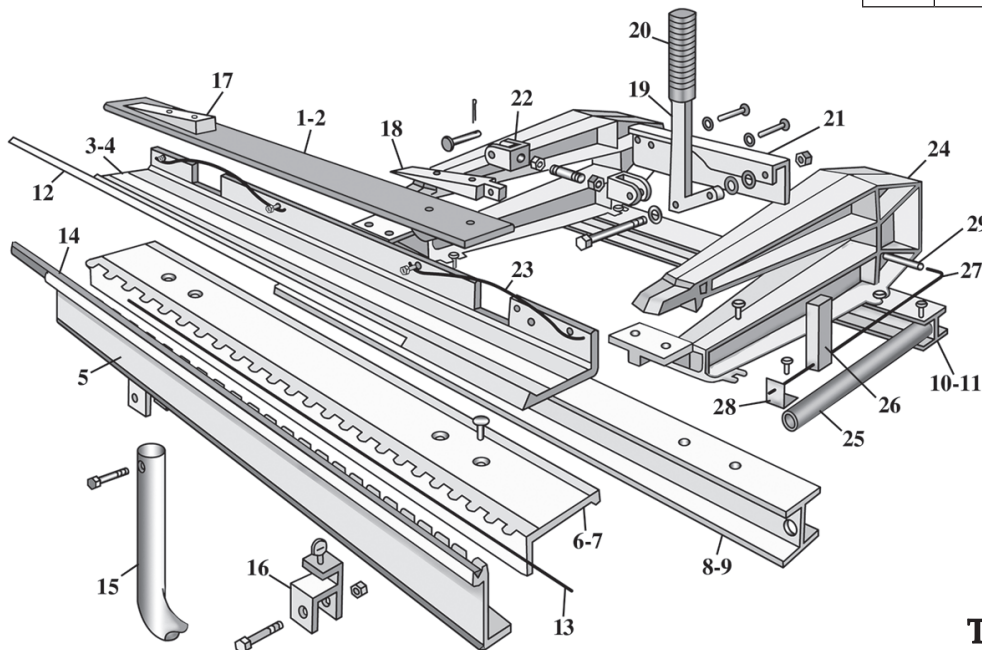
Ref	Part Name	P/N
14	Strips, Orange Vinyl Wear (2 ea)	3628
15-16	Handle, Bending w/Brackets	3536
16	Brackets, Bending Handle (2 ea)	3579
17-18	Wedges & Wedge Block Assm	3583
18	Wedge Block w/Clevis Pin	3588
19-20	Locking Handle w/Orange Grip	3586
21	Locking Handle Mounting Brkt	3587
22	Locking Clevis Assembly	3585
23	Round Springs 1/8" x 10 1/4" (4 ea)	3584
24	Casting C Clamp 6" High	3589
25	Handles, Carrying (2 ea)	3572
26-29	Material Stop Assembly (2 ea)	3507

Optional Accessories

NailHawg™	Steel Folding Legs 3000	Wheel Kit 3004	UniStand™ USA1
			
Easily gets nails from job (shown with partial handle).	Heavy-Duty steel legs (includes hardware)	Fits All Van Mark Brakes Attaches to one end of Brake Base Rails	Easily maneuvers Van Mark tools over terrains

Tune-Up Kits

Ref	Description	Contractor Model	P/N 3626
		Commercial Model	P/N 3632
14	Strip, Orange Vinyl Wear (1 ea)		
17-18	Wedges & Wedge Block Assembly		
19-20	Locking Handle & Orange Grip		
22	Locking Clevis Assembly, Adj.		
23	Round Springs 1/8" x 10 1/4"		
	Screw & Fastener Package, Misc.		



Trim-A-Brake II™

Orders must include model and serial no. in order to guarantee correct parts are shipped.

